



**SOLAR WATER &  
BOREHOLE PUMP CHARTS FOR :  
LORENTZ PS600**

**Brought to you with the compliments of:**

**SOLAR MAN**



**Silver Lakes, Pretoria East, South Africa**

| +27 (0)12 941 1582 | +27 (0)12 809 1525 |

| [Info2@solarm.co.za](mailto:Info2@solarm.co.za) | [www.solarm.co.za](http://www.solarm.co.za) |

# PS600 HR-03H

## Solar submersible pump system for 4" wells

### Application

- drinking water supply
- pond management
- irrigation
- livestock watering
- pressurizing

### Characteristics

- fast, failure-free installation
- excellent serviceability
- high reliability and life expectancy
- short Return of Investment (ROI) cycle
- lower Total Cost of Ownership (TCO)

### Technical data

Item #	1045-X
Total dynamic head	max. 180 m
Flow rate	max. 0,44 m <sup>3</sup> /h
Vmp**	> 68 V
Voc	max. 150 V



### Components

#### Controller: PS600

- controlling and monitoring
- control inputs for well probe, dry running protection, remote control etc.
- protected against reverse polarity, overload and high temperature
- integrated MPPT (Maximum Power Point Tracking)
- low voltage disconnect for battery operation

#### Motor: ECDRIVE 600-HR

- maintenance-free brushless DC motor
- water filled
- no electronics in the motor
- submersion max. 250 m, IP68
- premium materials

#### Pump end: PE HR-03H

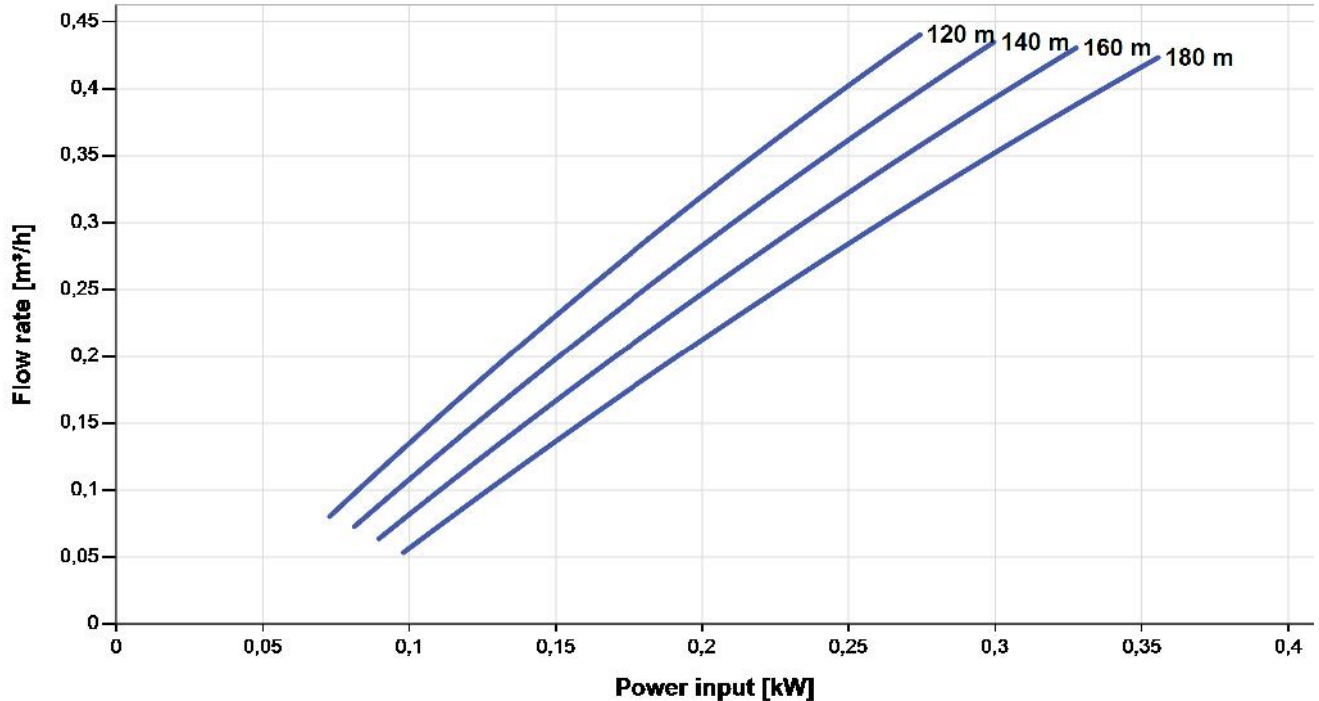
- high reliability and life expectancy
- non-return valve
- premium materials
- optional: dry running protection

## PS600 HR-03H

Solar submersible pump system for 4" wells

### Pump chart

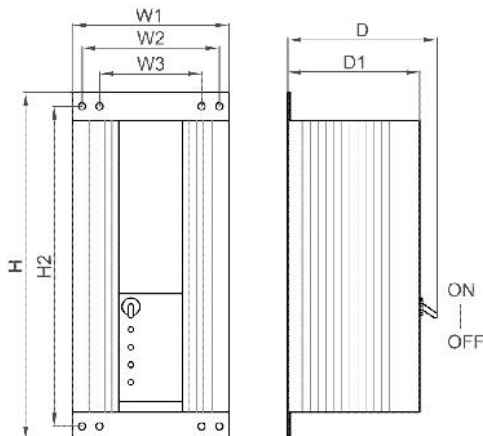
Max. power voltage (Vmp<sup>\*\*</sup>): > 68 V



### Dimensions and weights

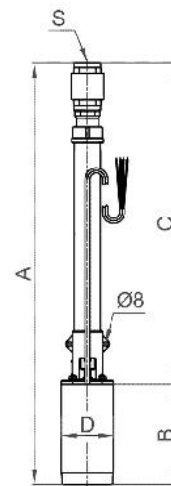
#### Controller

H = 396 mm  
 H2 = 364 mm  
 W1 = 178 mm  
 W2 = 156 mm  
 W3 = 116 mm  
 D = 165 mm  
 D1 = 150 mm



#### Pump unit

A = 780 mm  
 B = 185 mm  
 C = 595 mm  
 D = 96 mm  
 S = 1,25 in



	net weight	packaging	shipping volume	gross weight
Controller	4,5 kg	450x250x240 mm	0,027 m <sup>3</sup>	5,2 kg
Pump unit	11 kg	850x160x150 mm	0,020 m <sup>3</sup>	12 kg
Motor	7,0 kg	160x140x300 mm	0,007 m <sup>3</sup>	7,3 kg
Pump end	4,2 kg	650x160x150 mm	0,016 m <sup>3</sup>	4,7 kg

\*Max. flow rate at min. recommended head

\*\*Vmp: max. power voltage under Standard Test Conditions (STC): AM = 1.5, E = 1000 W/m<sup>2</sup>, cell temperature 25 °C

\*\*\*Specify water temperature range on order

# PS600 HR-04

## Solar submersible pump system for 4" wells

### Application

- drinking water supply
- pond management
- irrigation
- livestock watering
- pressurizing

### Characteristics

- fast, failure-free installation
- excellent serviceability
- high reliability and life expectancy
- short Return of Investment (ROI) cycle
- lower Total Cost of Ownership (TCO)

### Technical data

Item #	1050-X
Total dynamic head	max. 70 m
Flow rate	max. 0,72 m <sup>3</sup> /h
Vmp**	> 68 V
Voc	max. 150 V



### Components

#### Controller: PS600

- controlling and monitoring
- control inputs for well probe, dry running protection, remote control etc.
- protected against reverse polarity, overload and high temperature
- integrated MPPT (Maximum Power Point Tracking)
- low voltage disconnect for battery operation

#### Motor: ECDRIVE 600-HR

- maintenance-free brushless DC motor
- water filled
- no electronics in the motor
- submersion max. 250 m, IP68
- premium materials

#### Pump end: PE HR-04

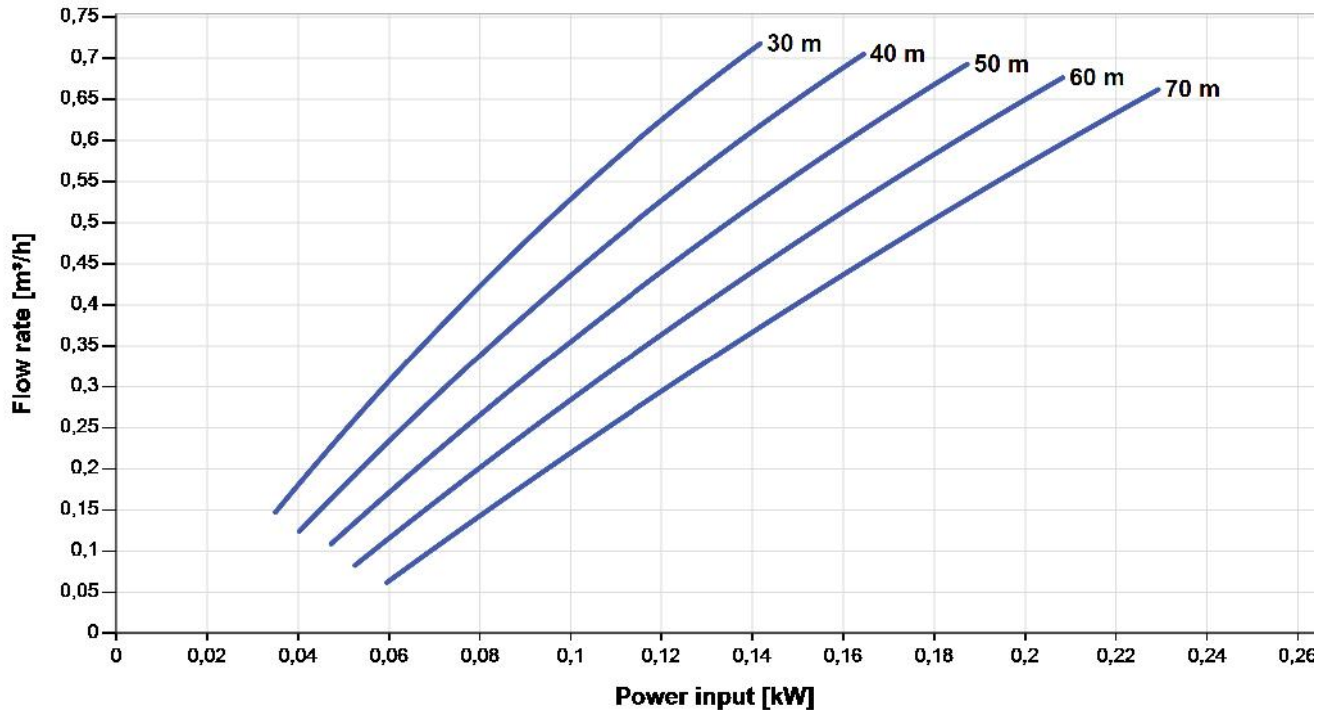
- high reliability and life expectancy
- non-return valve
- premium materials
- optional: dry running protection

## PS600 HR-04

Solar submersible pump system for 4" wells

### Pump chart

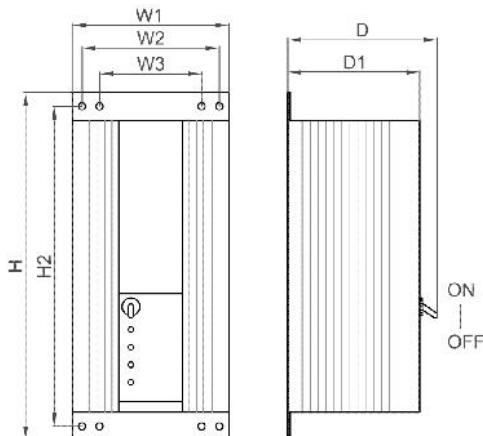
Max. power voltage (Vmp<sup>\*\*</sup>): > 68 V



### Dimensions and weights

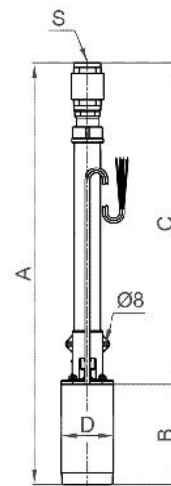
#### Controller

H = 396 mm  
 H2 = 364 mm  
 W1 = 178 mm  
 W2 = 156 mm  
 W3 = 116 mm  
 D = 165 mm  
 D1 = 150 mm



#### Pump unit

A = 780 mm  
 B = 185 mm  
 C = 595 mm  
 D = 96 mm  
 S = 1,25 in



	net weight	packaging	shipping volume	gross weight
Controller	4,5 kg	450x250x240 mm	0,027 m <sup>3</sup>	5,2 kg
Pump unit	11 kg	850x160x150 mm	0,020 m <sup>3</sup>	12 kg
Motor	7,0 kg	160x140x300 mm	0,007 m <sup>3</sup>	7,3 kg
Pump end	4,2 kg	650x160x150 mm	0,016 m <sup>3</sup>	4,7 kg

\*Max. flow rate at min. recommended head

\*\*Vmp: max. power voltage under Standard Test Conditions (STC): AM = 1.5, E = 1000 W/m<sup>2</sup>, cell temperature 25 °C

\*\*\*Specify water temperature range on order

# PS600 HR-04H

## Solar submersible pump system for 4" wells

### Application

- drinking water supply
- pond management
- irrigation
- livestock watering
- pressurizing

### Characteristics

- fast, failure-free installation
- excellent serviceability
- high reliability and life expectancy
- short Return of Investment (ROI) cycle
- lower Total Cost of Ownership (TCO)

### Technical data

Item #	1055-X
Total dynamic head	max. 140 m
Flow rate	max. 0,72 m <sup>3</sup> /h
Vmp**	> 68 V
Voc	max. 150 V



### Components

#### Controller: PS600

- controlling and monitoring
- control inputs for well probe, dry running protection, remote control etc.
- protected against reverse polarity, overload and high temperature
- integrated MPPT (Maximum Power Point Tracking)
- low voltage disconnect for battery operation

#### Motor: ECDRIVE 600-HR

- maintenance-free brushless DC motor
- water filled
- no electronics in the motor
- submersion max. 250 m, IP68
- premium materials

#### Pump end: PE HR-04H

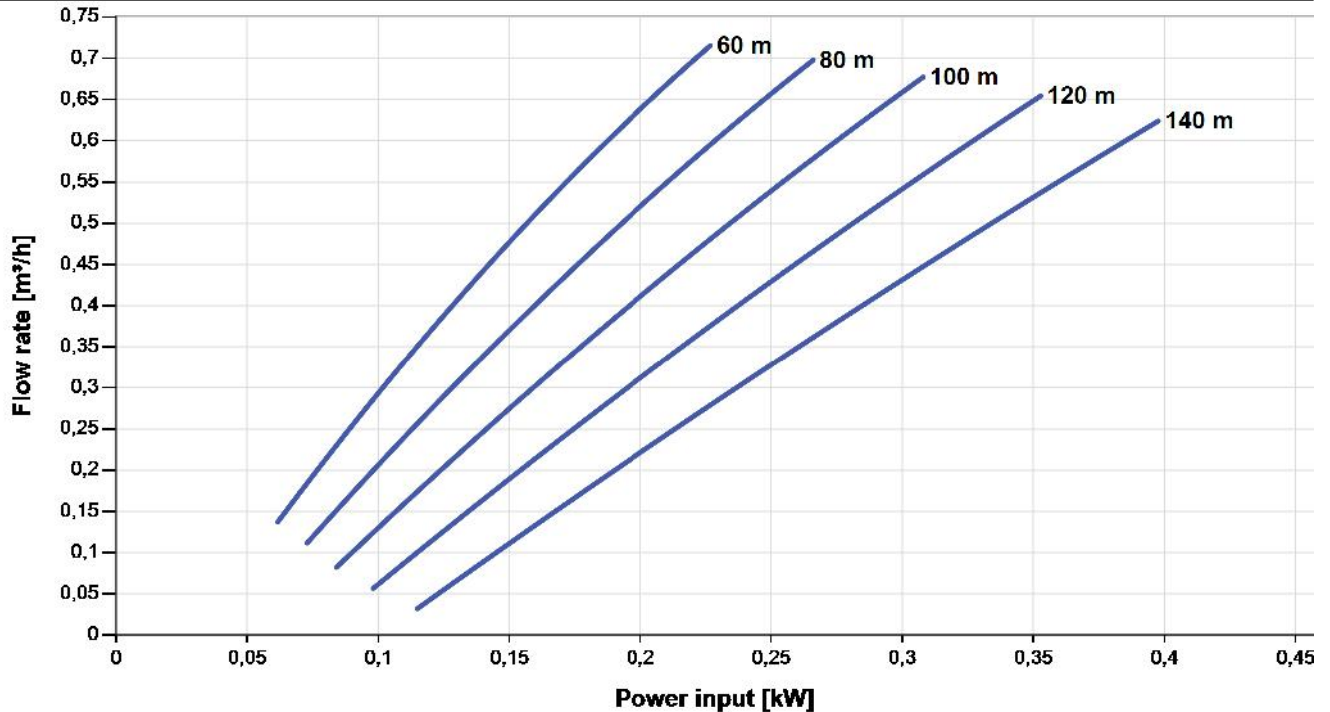
- high reliability and life expectancy
- non-return valve
- premium materials
- optional: dry running protection

## PS600 HR-04H

Solar submersible pump system for 4" wells

### Pump chart

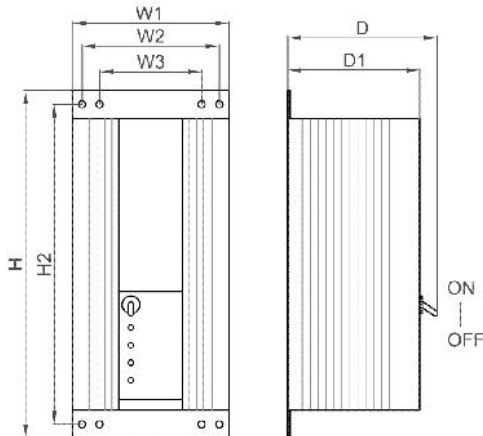
Max. power voltage (Vmp<sup>\*\*</sup>): > 68 V



### Dimensions and weights

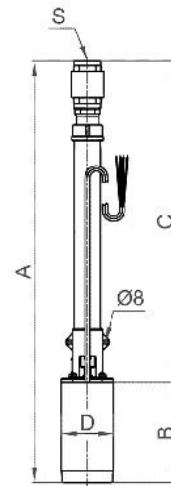
#### Controller

H = 396 mm  
 H2 = 364 mm  
 W1 = 178 mm  
 W2 = 156 mm  
 W3 = 116 mm  
 D = 165 mm  
 D1 = 150 mm



#### Pump unit

A = 780 mm  
 B = 185 mm  
 C = 595 mm  
 D = 96 mm  
 S = 1,25 in



	net weight	packaging	shipping volume	gross weight
Controller	4,5 kg	450x250x240 mm	0,027 m <sup>3</sup>	5,2 kg
Pump unit	11 kg	850x160x150 mm	0,020 m <sup>3</sup>	12 kg
Motor	7,0 kg	160x140x300 mm	0,007 m <sup>3</sup>	7,3 kg
Pump end	4,2 kg	650x160x150 mm	0,016 m <sup>3</sup>	4,7 kg

\*Max. flow rate at min. recommended head

\*\*Vmp: max. power voltage under Standard Test Conditions (STC): AM = 1.5, E = 1000 W/m<sup>2</sup>, cell temperature 25 °C

\*\*\*Specify water temperature range on order

# PS600 HR-07

## Solar submersible pump system for 4" wells

### Application

- drinking water supply
- pond management
- irrigation
- livestock watering
- pressurizing

### Characteristics

- fast, failure-free installation
- excellent serviceability
- high reliability and life expectancy
- short Return of Investment (ROI) cycle
- lower Total Cost of Ownership (TCO)

### Technical data

Item #	1060-X
Total dynamic head	max. 90 m
Flow rate	max. 1,3 m <sup>3</sup> /h
Vmp**	> 68 V
Voc	max. 150 V



### Components

#### Controller: PS600

- controlling and monitoring
- control inputs for well probe, dry running protection, remote control etc.
- protected against reverse polarity, overload and high temperature
- integrated MPPT (Maximum Power Point Tracking)
- low voltage disconnect for battery operation

#### Motor: ECDRIVE 600-HR

- maintenance-free brushless DC motor
- water filled
- no electronics in the motor
- submersion max. 250 m, IP68
- premium materials

#### Pump end: PE HR-07

- high reliability and life expectancy
- non-return valve
- premium materials
- optional: dry running protection



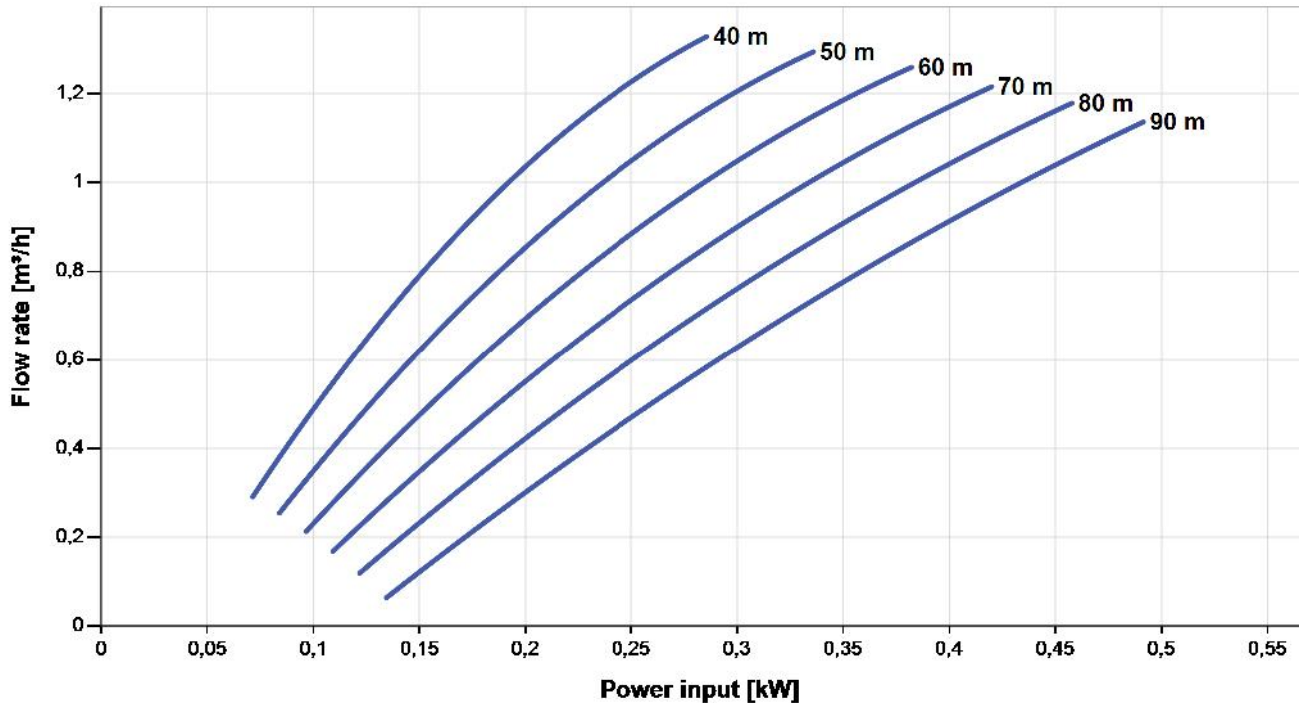


## PS600 HR-07

Solar submersible pump system for 4" wells

### Pump chart

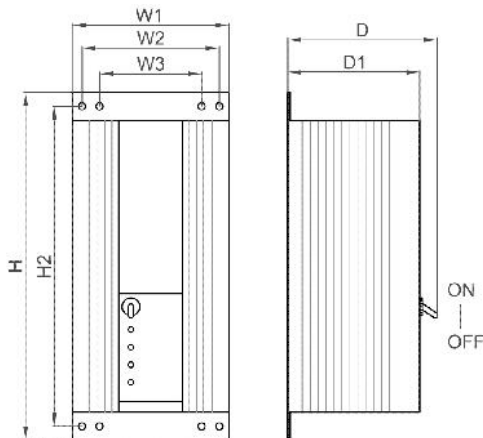
Max. power voltage (Vmp<sup>\*\*</sup>): > 68 V



### Dimensions and weights

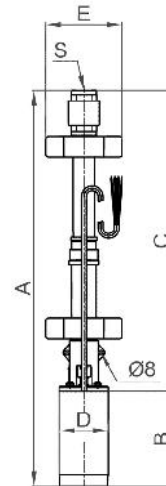
#### Controller

H = 396 mm  
 H2 = 364 mm  
 W1 = 178 mm  
 W2 = 156 mm  
 W3 = 116 mm  
 D = 165 mm  
 D1 = 150 mm



#### Pump unit

A = 771 mm  
 B = 185 mm  
 C = 586 mm  
 D = 96 mm  
 E = 147 mm  
 S = 1,25 in



	net weight	packaging	shipping volume	gross weight
Controller	4,5 kg	450x250x240 mm	0,027 m <sup>3</sup>	5,2 kg
Pump unit	12 kg	850x160x150 mm	0,020 m <sup>3</sup>	12 kg
Motor	7,0 kg	160x140x300 mm	0,007 m <sup>3</sup>	7,3 kg
Pump end	4,5 kg	650x160x150 mm	0,016 m <sup>3</sup>	5,0 kg

\*Max. flow rate at min. recommended head

\*\*Vmp: max. power voltage under Standard Test Conditions (STC): AM = 1.5, E = 1000 W/m<sup>2</sup>, cell temperature 25 °C

\*\*\*Specify water temperature range on order

# PS600 HR-10

## Solar submersible pump system for 4" wells

### Application

- drinking water supply
- pond management
- irrigation
- livestock watering
- pressurizing

### Characteristics

- fast, failure-free installation
- excellent serviceability
- high reliability and life expectancy
- short Return of Investment (ROI) cycle
- lower Total Cost of Ownership (TCO)

### Technical data

Item #	1065-X
Total dynamic head	max. 80 m
Flow rate	max. 1,9 m <sup>3</sup> /h
Vmp**	> 68 V
Voc	max. 150 V



### Components

#### Controller: PS600

- controlling and monitoring
- control inputs for well probe, dry running protection, remote control etc.
- protected against reverse polarity, overload and high temperature
- integrated MPPT (Maximum Power Point Tracking)
- low voltage disconnect for battery operation

#### Motor: ECDRIVE 600-HR

- maintenance-free brushless DC motor
- water filled
- no electronics in the motor
- submersion max. 250 m, IP68
- premium materials

#### Pump end: PE HR-10

- high reliability and life expectancy
- non-return valve
- premium materials
- optional: dry running protection

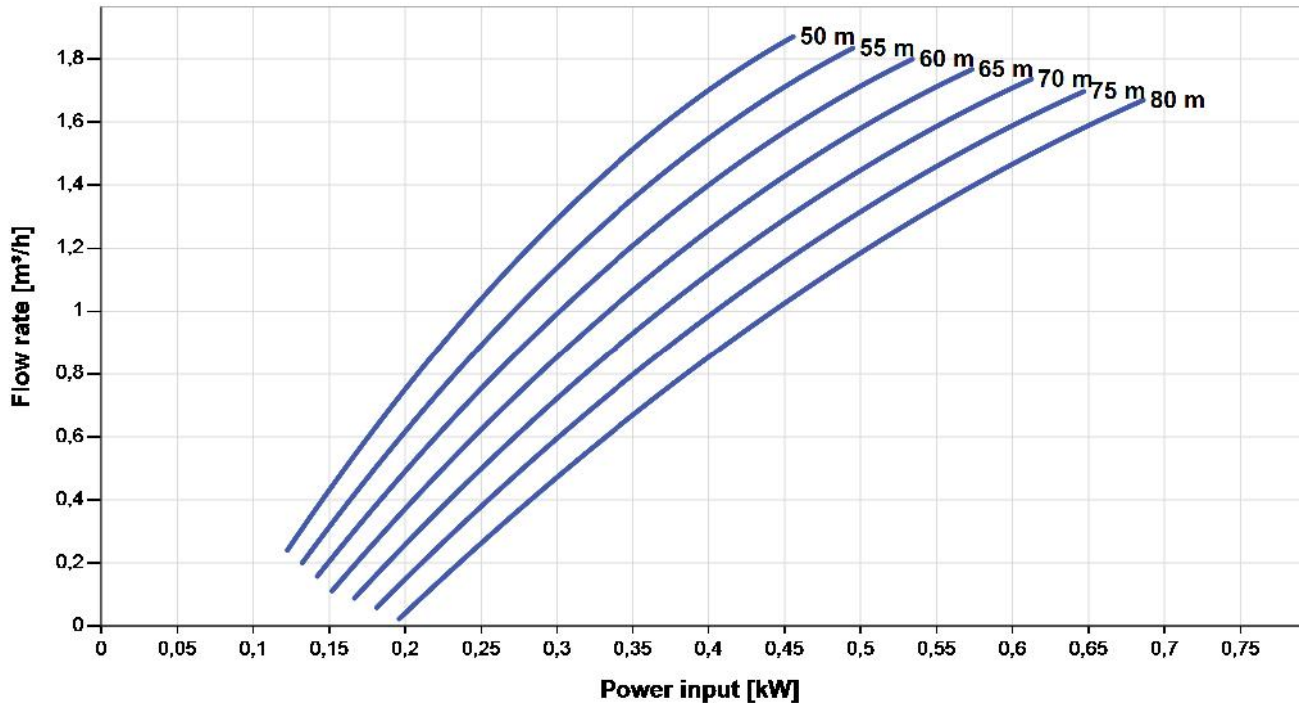


## PS600 HR-10

Solar submersible pump system for 4" wells

### Pump chart

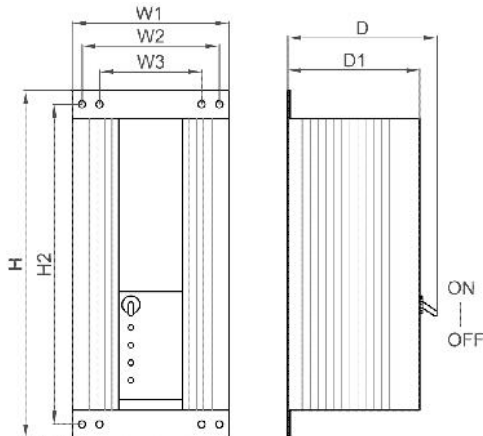
Max. power voltage (Vmp<sup>\*\*</sup>): > 68 V



### Dimensions and weights

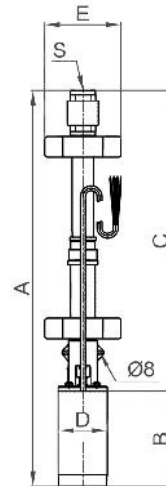
#### Controller

H = 396 mm  
 H2 = 364 mm  
 W1 = 178 mm  
 W2 = 156 mm  
 W3 = 116 mm  
 D = 165 mm  
 D1 = 150 mm



#### Pump unit

A = 771 mm  
 B = 185 mm  
 C = 586 mm  
 D = 96 mm  
 E = 147 mm  
 S = 1,25 in



	net weight	packaging	shipping volume	gross weight
Controller	4,5 kg	450x250x240 mm	0,027 m <sup>3</sup>	5,2 kg
Pump unit	12 kg	850x160x150 mm	0,020 m <sup>3</sup>	12 kg
Motor	7,0 kg	160x140x300 mm	0,007 m <sup>3</sup>	7,3 kg
Pump end	4,5 kg	650x160x150 mm	0,016 m <sup>3</sup>	5,0 kg

\*Max. flow rate at min. recommended head

\*\*Vmp: max. power voltage under Standard Test Conditions (STC): AM = 1.5, E = 1000 W/m<sup>2</sup>, cell temperature 25 °C

\*\*\*Specify water temperature range on order

# PS600 HR-14

## Solar submersible pump system for 4" wells

### Application

- drinking water supply
- pond management
- irrigation
- livestock watering
- pressurizing

### Characteristics

- fast, failure-free installation
- excellent serviceability
- high reliability and life expectancy
- short Return of Investment (ROI) cycle
- lower Total Cost of Ownership (TCO)

### Technical data

Item #	1070-X
Total dynamic head	max. 50 m
Flow rate	max. 2,6 m <sup>3</sup> /h
Vmp**	> 68 V
Voc	max. 150 V



### Components

#### Controller: PS600

- controlling and monitoring
- control inputs for well probe, dry running protection, remote control etc.
- protected against reverse polarity, overload and high temperature
- integrated MPPT (Maximum Power Point Tracking)
- low voltage disconnect for battery operation

#### Motor: ECDRIVE 600-HR

- maintenance-free brushless DC motor
- water filled
- no electronics in the motor
- submersion max. 250 m, IP68
- premium materials

#### Pump end: PE HR-14

- high reliability and life expectancy
- non-return valve
- premium materials
- optional: dry running protection

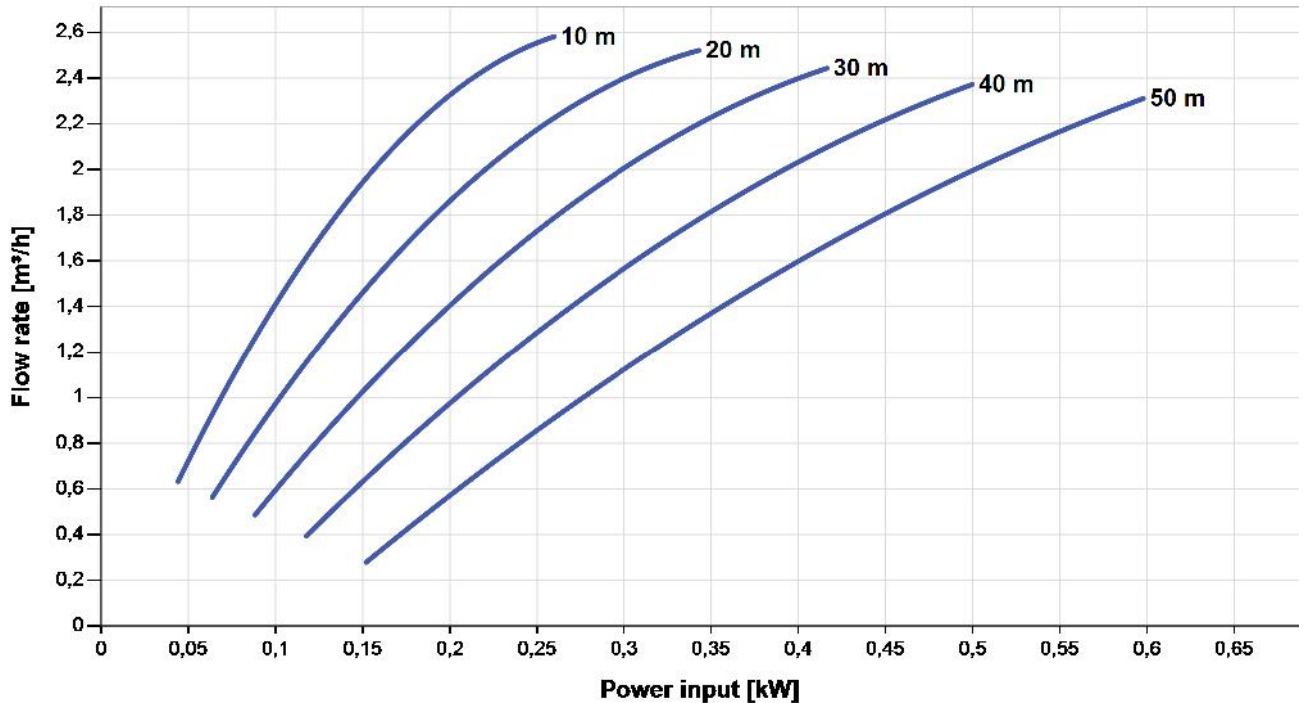


## PS600 HR-14

Solar submersible pump system for 4" wells

### Pump chart

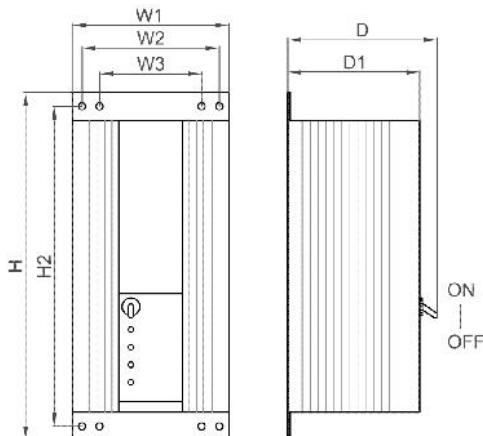
Max. power voltage (Vmp<sup>\*\*</sup>): > 68 V



### Dimensions and weights

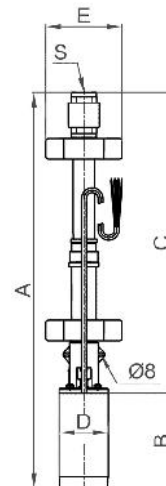
#### Controller

H = 396 mm  
 H2 = 364 mm  
 W1 = 178 mm  
 W2 = 156 mm  
 W3 = 116 mm  
 D = 165 mm  
 D1 = 150 mm



#### Pump unit

A = 771 mm  
 B = 185 mm  
 C = 586 mm  
 D = 96 mm  
 E = 147 mm  
 S = 1,25 in



	net weight	packaging	shipping volume	gross weight
Controller	4,5 kg	450x250x240 mm	0,027 m³	5,2 kg
Pump unit	12 kg	850x160x150 mm	0,020 m³	12 kg
Motor	7,0 kg	160x140x300 mm	0,007 m³	7,3 kg
Pump end	4,5 kg	650x160x150 mm	0,016 m³	5,0 kg

\*Max. flow rate at min. recommended head

\*\*Vmp: max. power voltage under Standard Test Conditions (STC): AM = 1.5, E = 1000 W/m², cell temperature 25 °C

\*\*\*Specify water temperature range on order